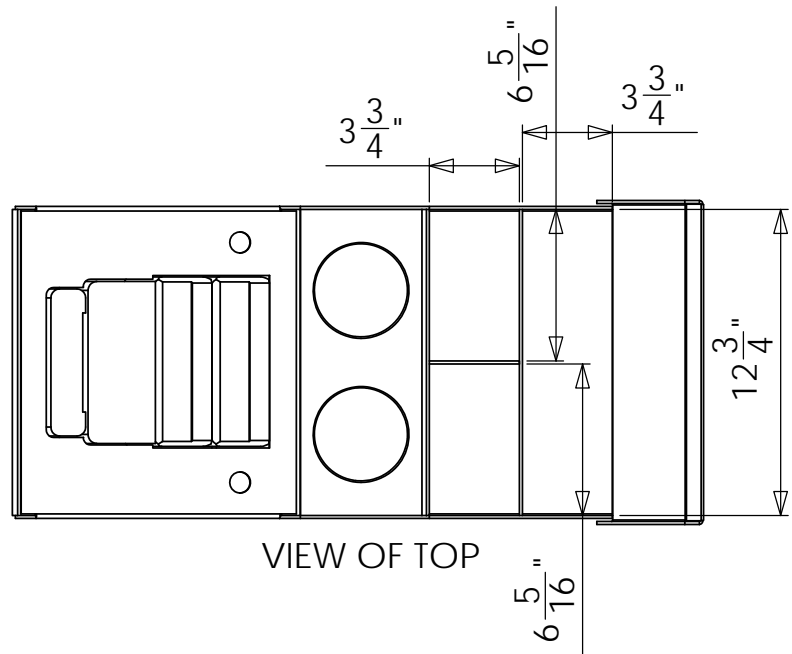
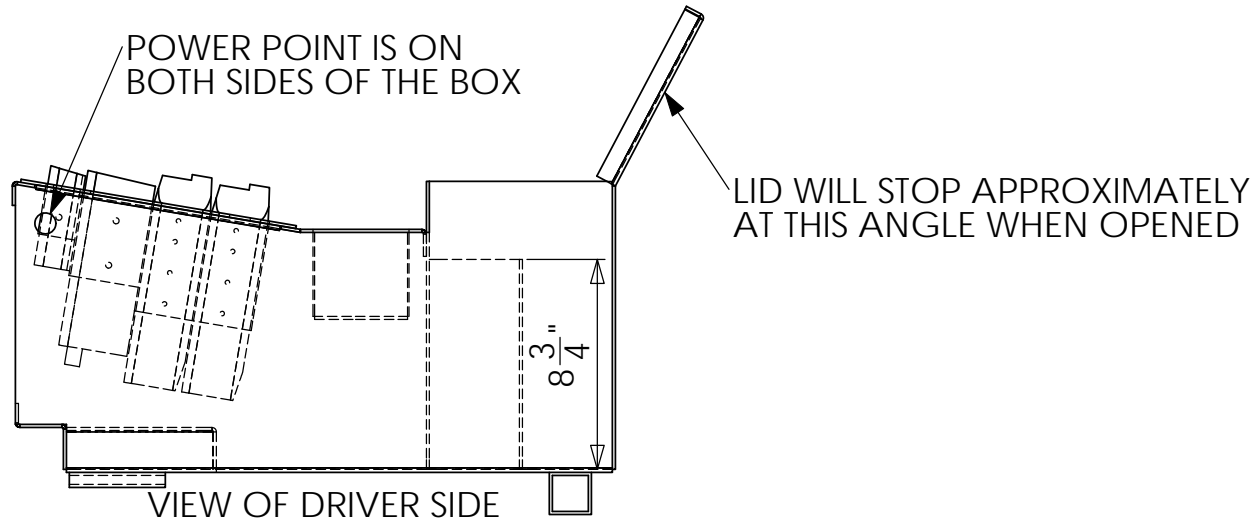


|  |            |             |           |  |
|--|------------|-------------|-----------|--|
| <b>PROPRIETARY AND CONFIDENTIAL</b><br>THE INFORMATION CONTAINED IN THIS DRAWING IS THE SOLE PROPERTY OF BURTON'S FIRE, INC. ANY REPRODUCTION IN PART OR AS A WHOLE WITHOUT THE WRITTEN PERMISSION OF BURTON'S FIRE, INC. IS PROHIBITED. |            | NAME        | DATE      | <b>BURTON'S FIRE, INC.</b>   |
|  | DRAWN      | BR          | 1/22/2009 |  |
|  | CHECKED    |             |           | DIMENSIONS ARE IN INCHES<br>TOLERANCES:<br>FRACTIONAL: $\pm 1/32"$<br>ANGULAR: $\pm 1^\circ$ |
|  |            |             |           |  |
|  | SCALE: 1:1 | REVISION: A | WO:       | SHEET 1 OF 2   |



|  |   |      |           |  |
|--|---|------|-----------|--|
| <b>PROPRIETARY AND CONFIDENTIAL</b><br>THE INFORMATION CONTAINED IN THIS DRAWING IS THE SOLE PROPERTY OF BURTON'S FIRE, INC. ANY REPRODUCTION IN PART OR AS A WHOLE WITHOUT THE WRITTEN PERMISSION OF BURTON'S FIRE, INC. IS PROHIBITED. |   | NAME | DATE      | <b>BURTON'S FIRE, INC.</b>                 |
|  | DRAWN   | BR   | 1/22/2009 |  |
|  | CHECKED   |      |           | SIZE DWG. LOC.<br><b>A</b> ALTERNATE VIEWS |
|  | DIMENSIONS ARE IN INCHES<br>TOLERANCES:<br>FRACTIONAL: ±1/32"<br>ANGULAR: ±1° |      |           | SCALE: 1:1<br>REVISION: <b>A</b><br>WO:    |