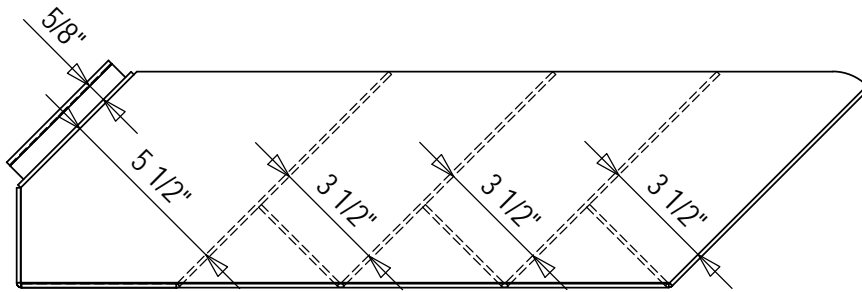
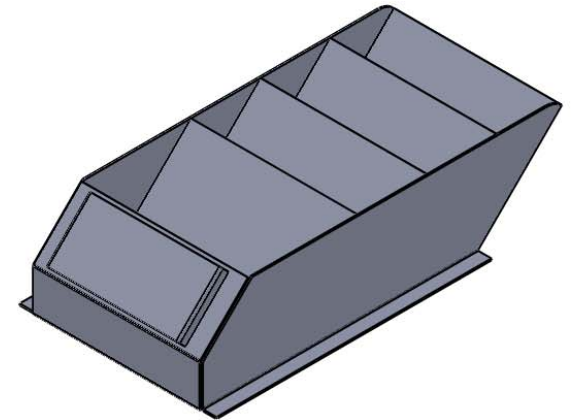


TOP VIEW



RIGHT SIDE VIEW

<p>PROPRIETARY AND CONFIDENTIAL THE INFORMATION CONTAINED IN THIS DRAWING IS THE SOLE PROPERTY OF BURTON'S FIRE, INC. ANY REPRODUCTION IN PART OR AS A WHOLE WITHOUT THE WRITTEN PERMISSION OF BURTON'S FIRE, INC. IS PROHIBITED.</p>	NAME	DATE	<p>BURTON'S FIRE, INC.</p>				
	DRAWN	BR		6/11/2009			
	CHECKED			Palo Alto - map box - dog house			
	<p>DIMENSIONS ARE IN INCHES TOLERANCES: FRACTIONAL: $\pm 1/32"$ ANGULAR: $\pm 1^\circ$</p>			<table border="1"> <tr> <td>SIZE</td> <td>DWG. LOC.</td> </tr> <tr> <td>A</td> <td>CONCEPT</td> </tr> </table>	SIZE	DWG. LOC.	A
SIZE	DWG. LOC.						
A	CONCEPT						
SCALE: 1:10	REVISION: A	WO:	SHEET 1 OF 9				